

# Parts Manual

TRM MODEL



[www.fadalcnc.com](http://www.fadalcnc.com) • 208-855-9426

SHEET METAL ASSEMBLY .....	3
MECHANICAL ASSEMBLY .....	4
FINISHED ASSEMBLY .....	5
FINISHED ASSEMBLY .....	6
SHEET METAL KIT .....	7
HEAD COVER ASSEMBLY .....	8
MOTOR ASSEMBLY .....	9
COLUMN / BASE ASSEMBLY .....	10
BASE ASSEMBLY .....	11
COLUMN ASSEMBLY .....	12
SADDLE / TABLE / BALLSCREW .....	13
TABLE ASSEMBLY .....	14
YAXIS BALLSCREW .....	15
ZAXIS BALLSCREW .....	16
XAXIS BALLSCREW .....	17

This reference covers the Model TRM

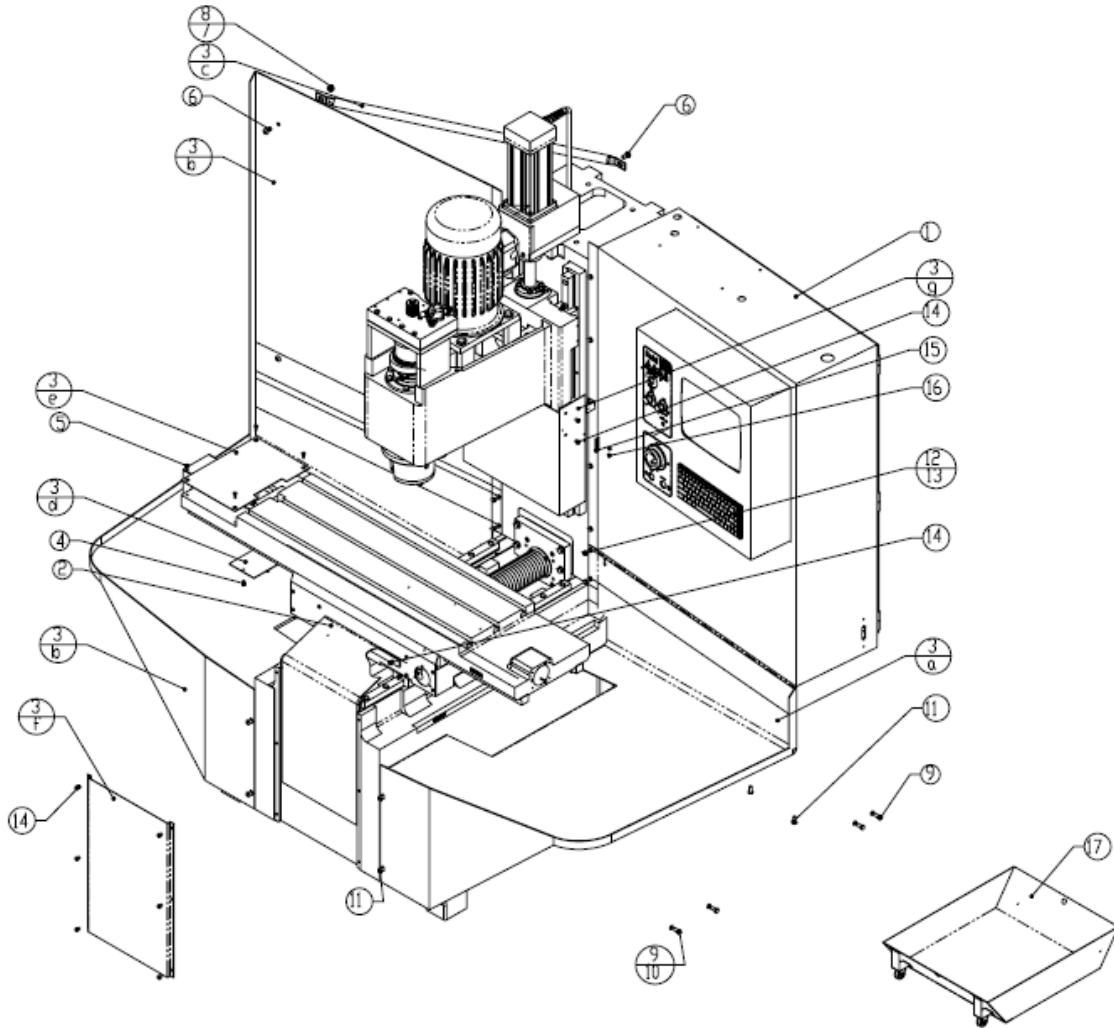


The content of this manual are for hardware and software products. Differences may exist and cannot be guaranteed that they are completely covered in this document.

Material is subject to change without notice.

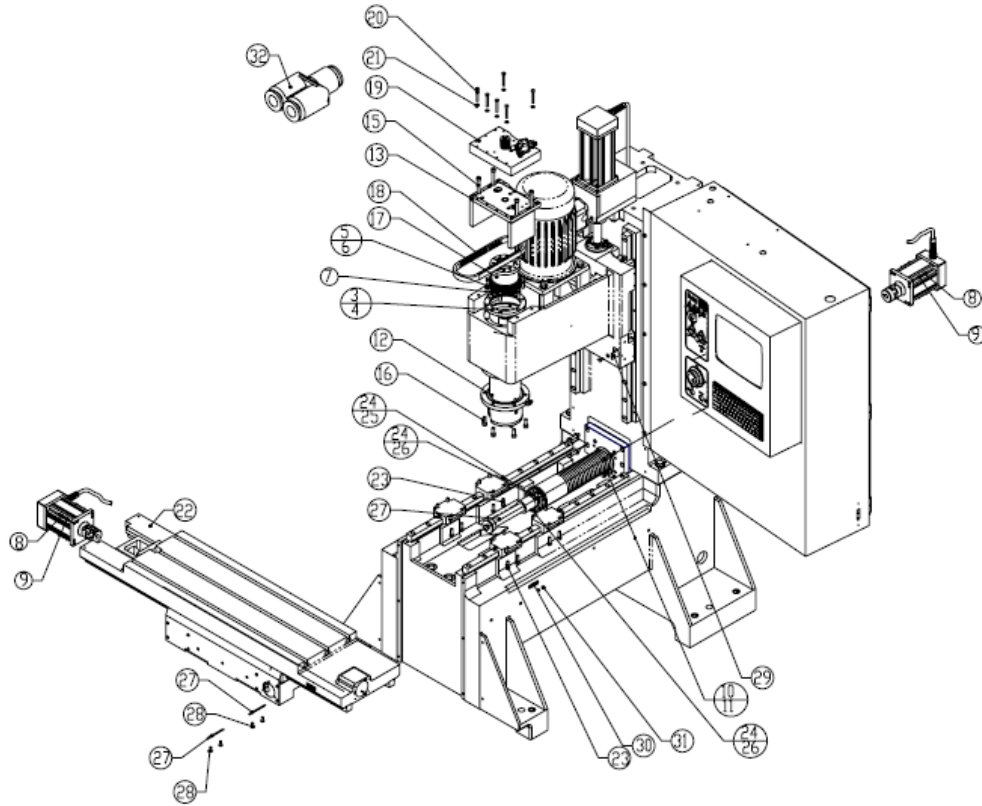
This manual is for the use of our customers. We hope you find this useful.

# SHEET METAL ASSEMBLY



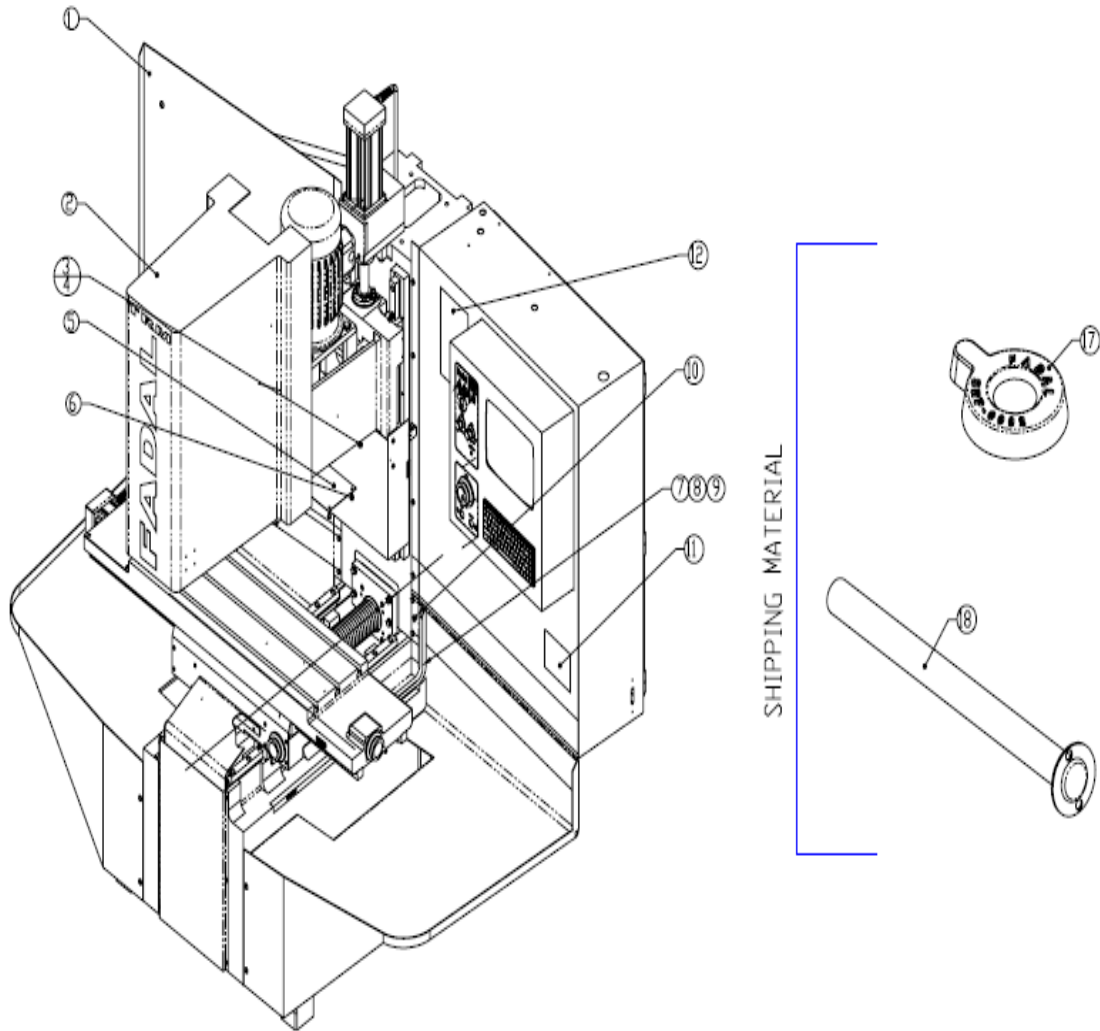
ITEM #	QTY	PART#	DESCRIPTION
1	1	FMC 0141	Mechanical Floor Assembly TRM
2	1	CVR 02 6 1	Front Cover Assembly TRM
3	1	STM 1817	Sheetmetal Kit Assembly TRM
a	1	Stm 1 64 3	Sheet Metal Right Side Low Profile Trim
b	1	Stm 1 64 2	Sheet Metal Left Side Low Profile Trim
c		STM 1636	Support Bracket Trm
d	1	STM 1816	Coupler Cover
e	1	STM 1 734	Blower Cover
f		STM 1 687	Sheet Metal Cover Trm
g		STM 1 640	cover head z axis trm
4	2	Hdw 0348	screw button socap 1 0 32x.5
s	4	Hdw 0324	Flat Head SCS #10-32UNFxV:
6	4	HDW 0345	Screw3/8-16UNCxy4,BTNSHC SPLN
		H D W -02 8 0	SPLIT LOCK WASHER 3/8 SS
		HDW 0333	Nut3/8-16FINHXFull
		Hdw 0 5 7 5	screw hexcap gr8 .3125 18x.75
		H D W -02 8 1	SPLIT LOCK WASHER 5/16
10		HDW 1028	Button Head SCS 0.3 125-18UNCxy4"
11		H D W -0 3 1 9	HEXCAP SCREW GR8 1/4X20 1/2 LONG Zinc Pl.
12		H D W -02 7 9	LOCK SPLIT WASHER 1/4
13		H D W -0 3 4 7	BUTTON SCREW SOCAP 1 /4X20 3/8 LONG
14		Stm 0593	cold start brkt x axis 1 model
15		Hdw 0352	screw button socap 8 32x.25
16		STM 1 62 3	Chip Tank Assembly TRM
17			

**MECHANICAL ASSEMBLY**

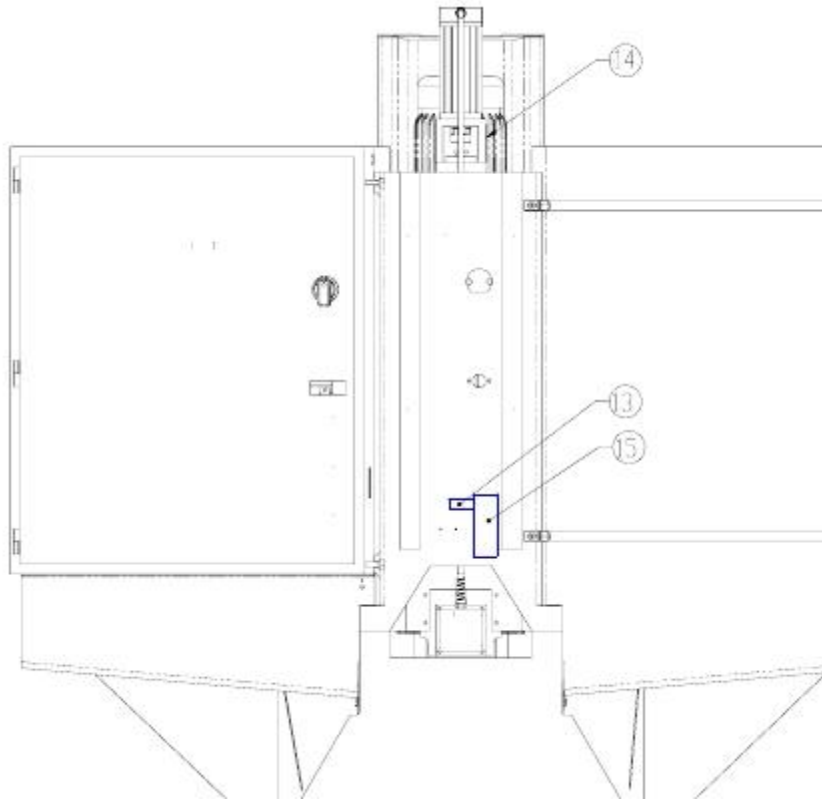


ITEM #	QTY	PART NO.	DESCRIPTION
1	1	FMC 0140 Pre-Assembly TRM	
2	1	BLS-0377 Ballscrew Asy Y Axis Trm	
3	1	SPN-0042 Retainer spindle upper	
4	1	HDW-0170 O ring 2-247	
5	6	HDW-0568 screw hexcap gr8 .375 1 6x1	Zinc-P la led Steel, Grade 5 Medium Strength, ANSI/ASME threads
6	6	HDW-0275 washer 390x 625x060 fw v/w zc	
7	1	HDW 0422 Plug, pressure. .125 x 18	
8	8	HDW-0301 Screw Socap 10-32 x 1.00	Alloy Steel Black Finish
9	8	HDW-0278 washer lock spill #10 z p	18-8 Stainless Steel
10	4	HDW -0569	HEXCAP SCREW GR8 3/8X16 1 3/4 LONG ZINC PL
11	4	HDW-0049 Washer,Hardened;3/8	Zinc-Plated Steel
12	1	SPN 0081 spindle assy non-lock 7.5K grease	
13	1	ORB 0040 Orient Bridge Asy Trm	
14	1	HDW-0093	
15	4	HDW-0288 screw socap .375 1 6x5.25	Alloy Steel Black Finish
16	6	HDW 0470 screw socap .375 1 6x1	Alloy Steel Black Finish
17	1	PUL 0025 SPRKT SPN PLYCHN NON COOLANT	
18	1	BEL-0039 BELT GATES TRM	
19	1	DRB 0049 Drawbar Cylinder Assy Standard	
20	6	HDW 0320 screw hexcap gr8 .25 20x2	Zinc-P la ted Steel, Grade 5 Medium Strength, ANSI/ASME threads
21	6	HDW -0279	LOCK SPLIT WASHER 1/4
22	1	SDL 0089 SDL TBL BSCREW ASSEMBLY TRM	
23	16	HDW 0481 screw socap 0.3125 -18 UNC x 1	Alloy Steel Black Finish
24	6	HDW 0291 screw socap .3125-18x1 .25	Alloy Steel Black Finish
25	4	HDW 0048 washer hardened .3125	Zinc-Plated Steel
26	2	HDW -0 281	SPLIT LOCK WASHER 5/16
27	2	HDW 1264 press roller linear carriage EMC 2016L 3016L	
28	4	HDW 0603 .250-20X.500 FHSCS	Alloy Steel Black Finish
29	1	STM 0048 z axis c s	
30	1	S tm 0593 cold start brkt x axis 1 model	
31	2	HDW 0352 screw button socap 8 32x.2S	18-8 Stainless Steel
32	1	PLM-0201 Fitting, 5/32 x 5/32 OD "Y"	

**FINISHED ASSEMBLY**

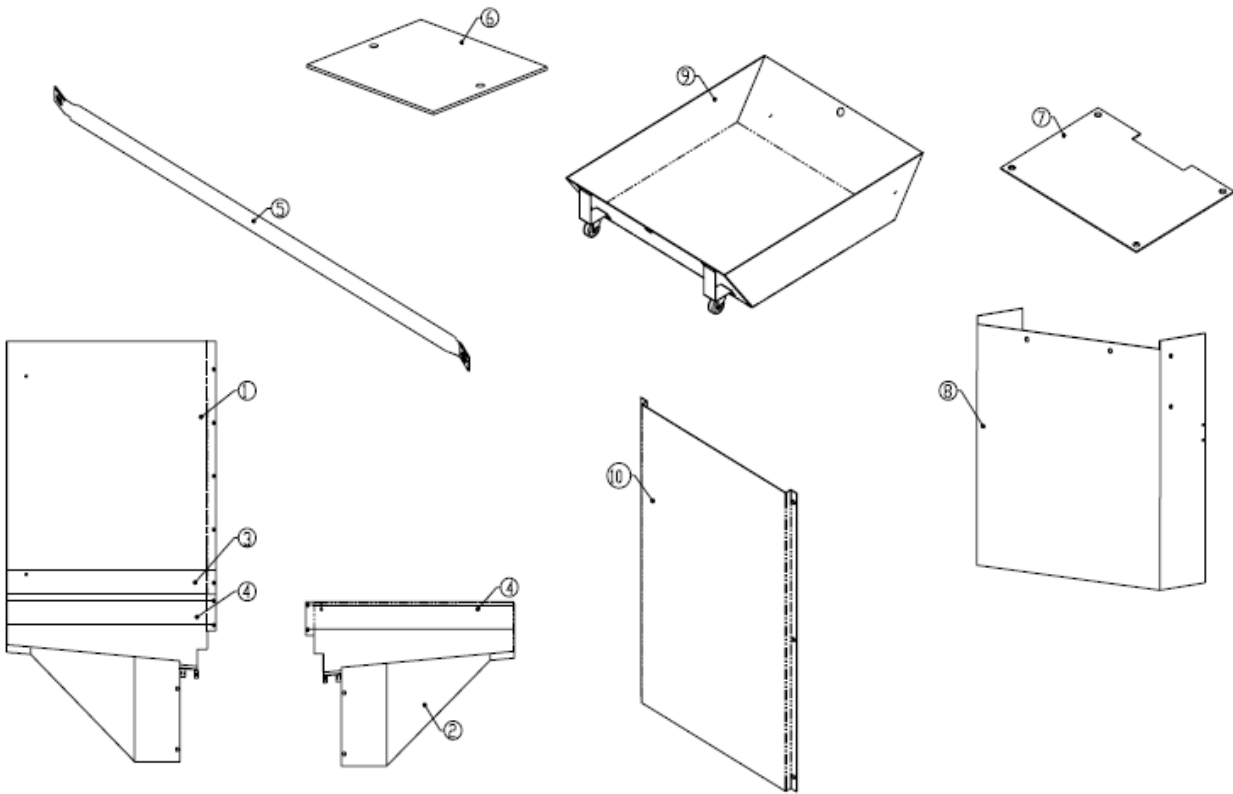


\* See page 6 for the B.O.M.

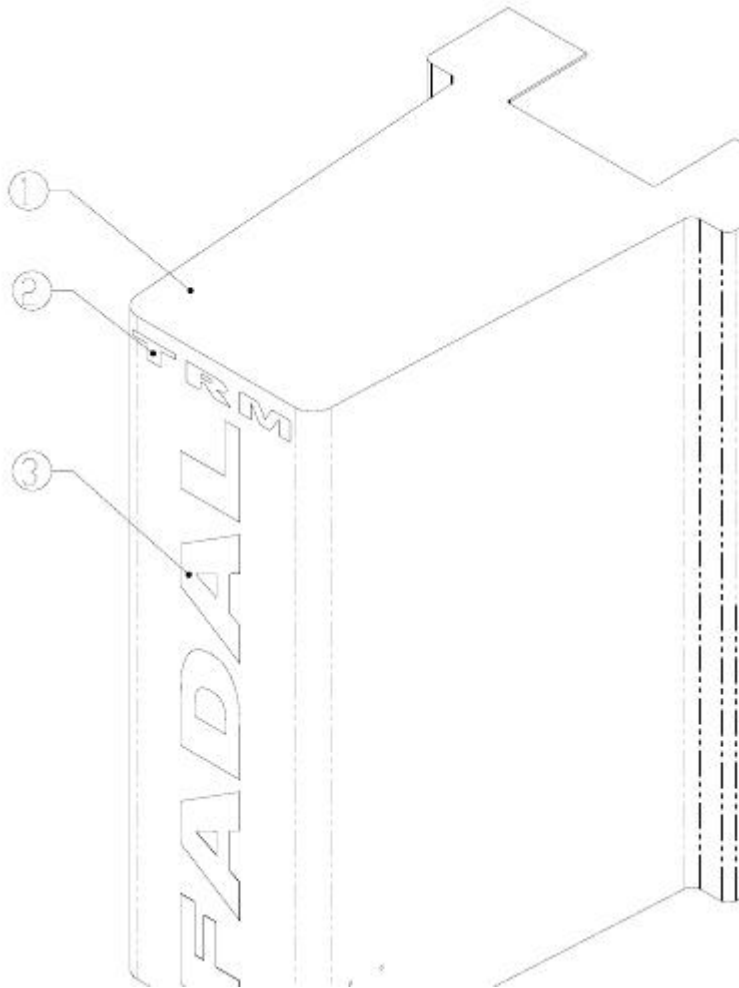


ITEM #	QTY.	PART #	DESCRIPTION
1	1	FMC_0142_Sheetmetal_Assembly_TRM	
2	1	CVR-0262 Head Cover Assembly TRM	
3	4	HDW_0322_screw_hexcap_gr8_.25_20x.75	Zinc-Plated Steel, Grade 5 Medium Strength
4	4	HDW-0047	WASHER HARDENED 1/4
5	1	STM 0064 cover head core all vmc	
6	4	Hdw_0795_screw_hexcap_gr8_.25_20x.375	Zinc-Plated Steel, Grade 5 Medium Strength
7	1	STM 1834 Cable Carrier Bracket	
8	1	HDW 1028 Button Head SCS 0.3125-18 UNO x"A"	18-8 Stainless Steel
9	1	CVR 0260 Cable Carrier TRM	
10	4	HDW-0606 Screw 6-32 x .500 FSHCS PLN	Alloy Steel Black Finish
11	1	LBL 0213 LBL-Made In USA	
12	1	LBI 0123 Safety label, Instructions	
13	1	LBL 0146 Air Pressure Label	
14	1	LBL_0471 LBL, Danger, Z-Axis Fall SPN	
15	1	LBL 0126 Warning Label, Air Pressure	
16	1	Serial Number Label	
17	6	SHP 0002 Leveling Pad,	
18	1	HDW_1000 Rod Cap/Counter Weight Pin	

**SHEET METAL KIT**

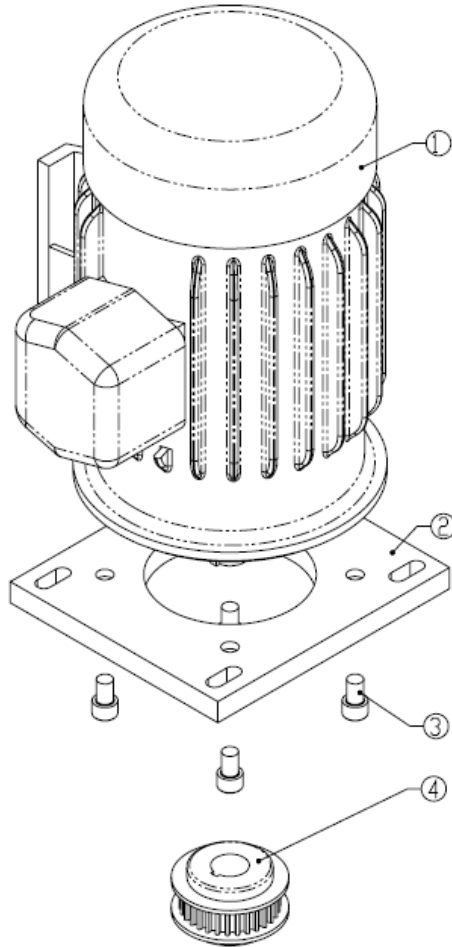


ITEM	QTY	PART#.	DESCRIPTION
1	1	STM-1642	SHEET METAL LEFT SIDE, TRM
2	1	STM-1643	SHEET METAL RIGHT SIDE, TRM
3	1	LBL-0496	VINYL VIVID DARK BLUE, 4.0Inches x 4.0feet
4	2	LBL-0504	VINYL OLYMPIC LIGHT BLUE, 4.0Inches x 4.0feet
5	2	STM-1636	SUPPORT BRACKET, TRM
6	1	STM-1816	COUPLER COVER
7	1	STM-1734	BALLSCREW COVER
8	1	STM-1640	COVER HEAD Z AXIS, TRM
9	1	STM-1623	CHIP TANK ASSEMBLY, TRM

**HEAD COVER ASSEMBLY**

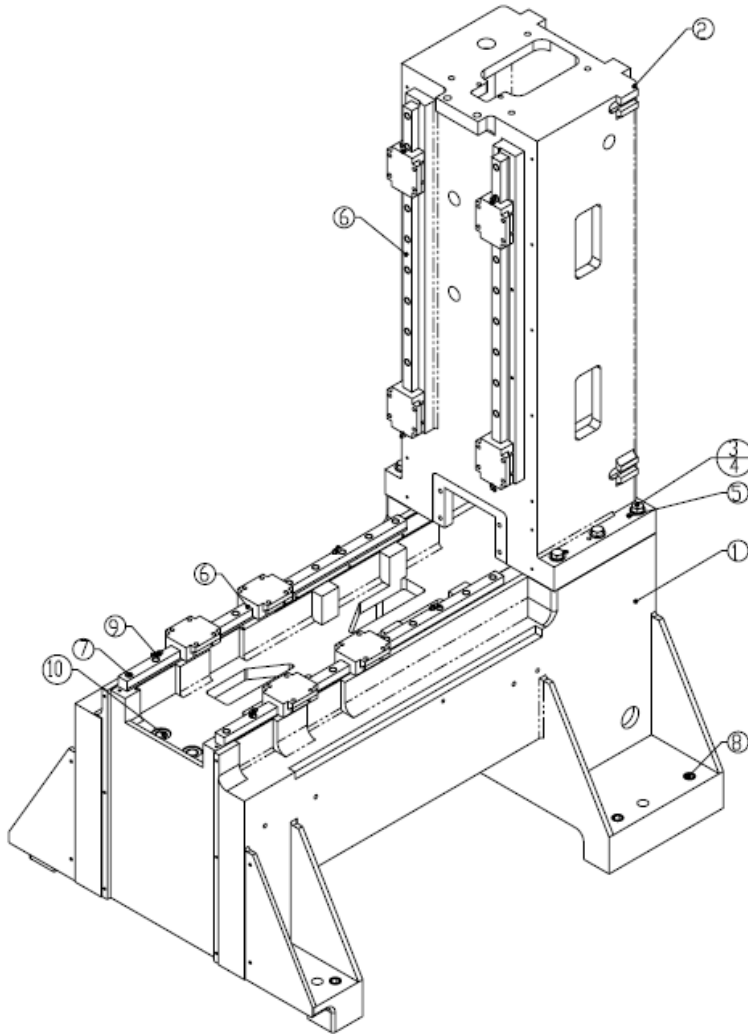
ITEM #	QTY	Part#	Description
1	1	CVR-0251	Cover, Head Trim
2	1	LBL-0505	Letter "TRM", TRM
3	1	LBL-0495	Letter-"FADAL", TRM

**MOTOR ASSEMBLY**



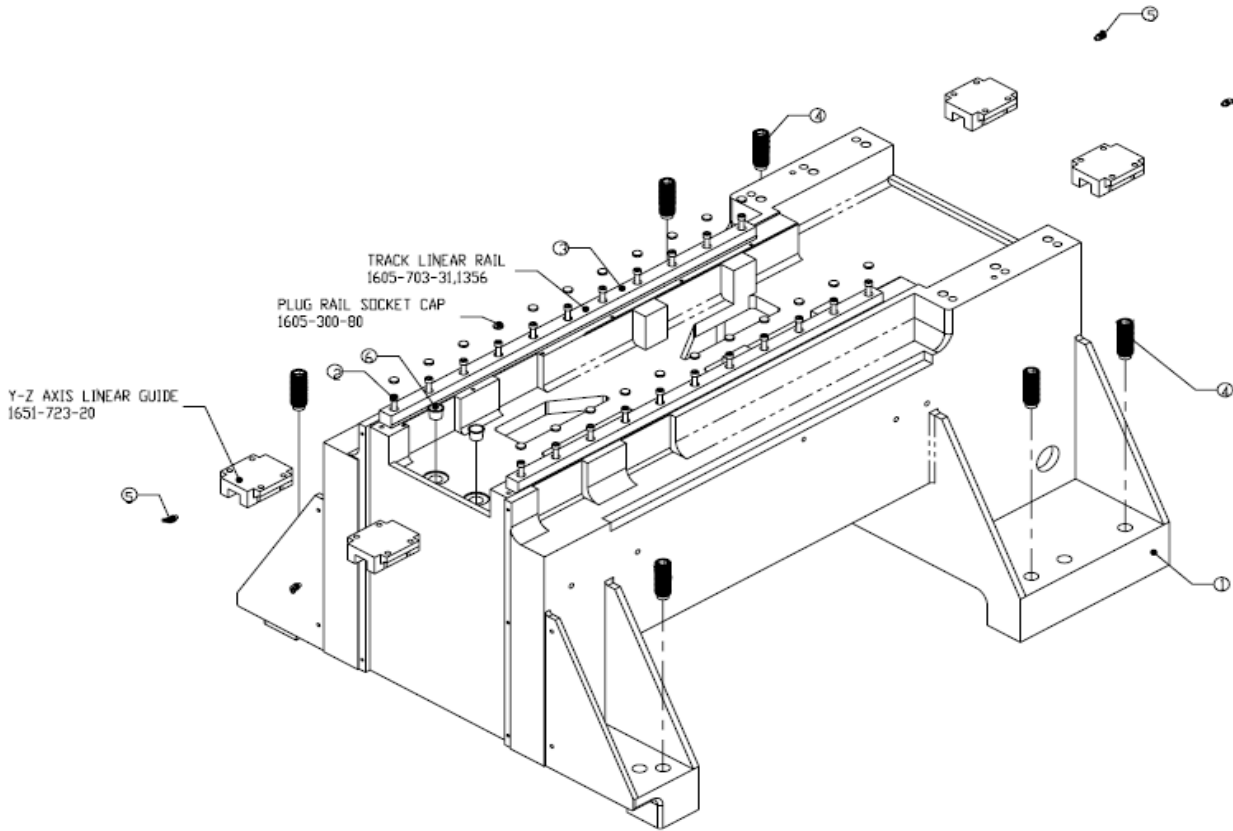
ITEM	QTY	PART #	DESCRIPTION
1	1	MTR-0232 Baldor Motor	
2	1	MTR-0226 Plate Spindle Motor Mount	
3	4	HDW-0283 Socket Head Cap Screw .500-13x.750	Alloy Steel Black Finish
4	1	PUL-0078 Sprocket MTR Polychain TRM	

## COLUMN / BASE ASSEMBLY



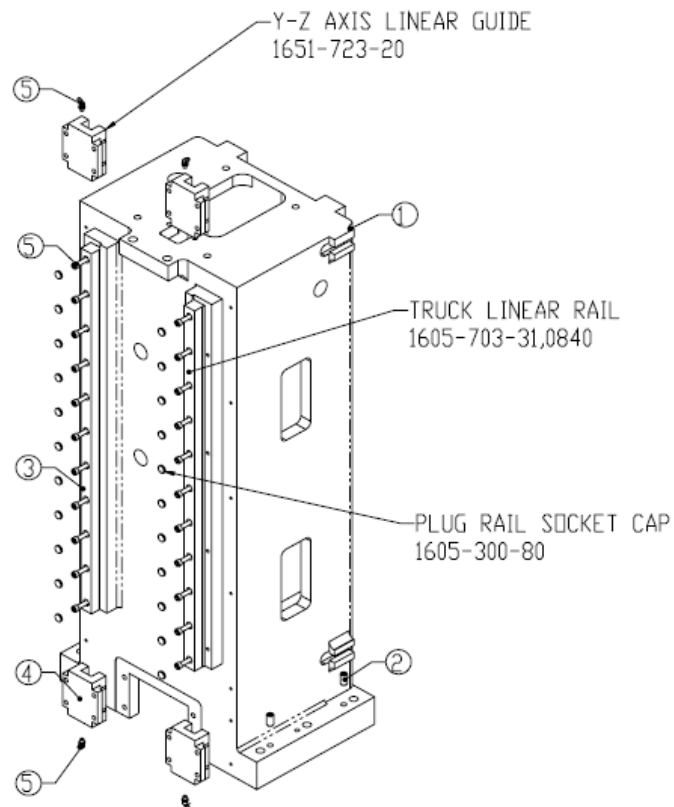
ITEM #	QTY	PART #	DESCRIPTION
1	1	BAS -0050	Base Machined LP TRM
2	1	COL -0050	Column Machined LP TRM
3	6	HDW -0555	Screw Hexcap 5/8-11 x 3.50
4	6	HDW -0051	Washer Hardened 5/8
5	4	HDW -0769	Screw Set Half dog 1/2 -20 x 1.00
6	4	BRG -0173	Linear Rail Y Axis, Z Axis, TRM
7	44	HDW -0291	Screw Socap 5/16-18 x 1 1/4
8	6	HDW -0432	Screw Set 1.0 0-14 x 3.00
9	8	PLM -0245	Fitting ZERK Grease 45x1M6x1
10	2	HDW -1318	Plug Plastic Red

## BASE ASSEMBLY



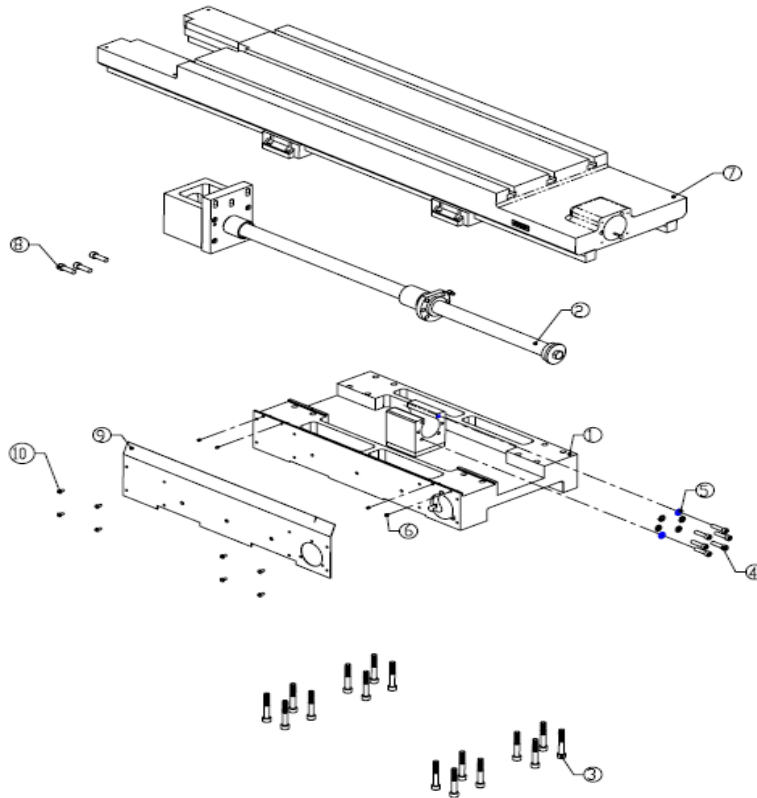
ITEM #	QTY	PART #	DESCRIPTION
1	1	BAS-0050	Base Machined LP TRM
2	22	HDW-0291	Screw Socap 5/16-18x11/4
3	2	BRG-0173	Linear Rail Y Axis, Z Axis, TRM
	1	1605-703-31, 1356	Y, Z Axis Linear Guide TRIVI
	2	1651-723-20	Truck Linear Rail TRM
	22	1605-300-80	Plugs Rail Socket Cap
4	6	HDW-0432	Screw Set 1.00-14x3.00
5	4	PLM-0245	Fitting Hydraulic Grs M6x1 Me 45deg
6	2	HDW-1318	Plugs Plastic Red

## COLUMN ASSEMBLY



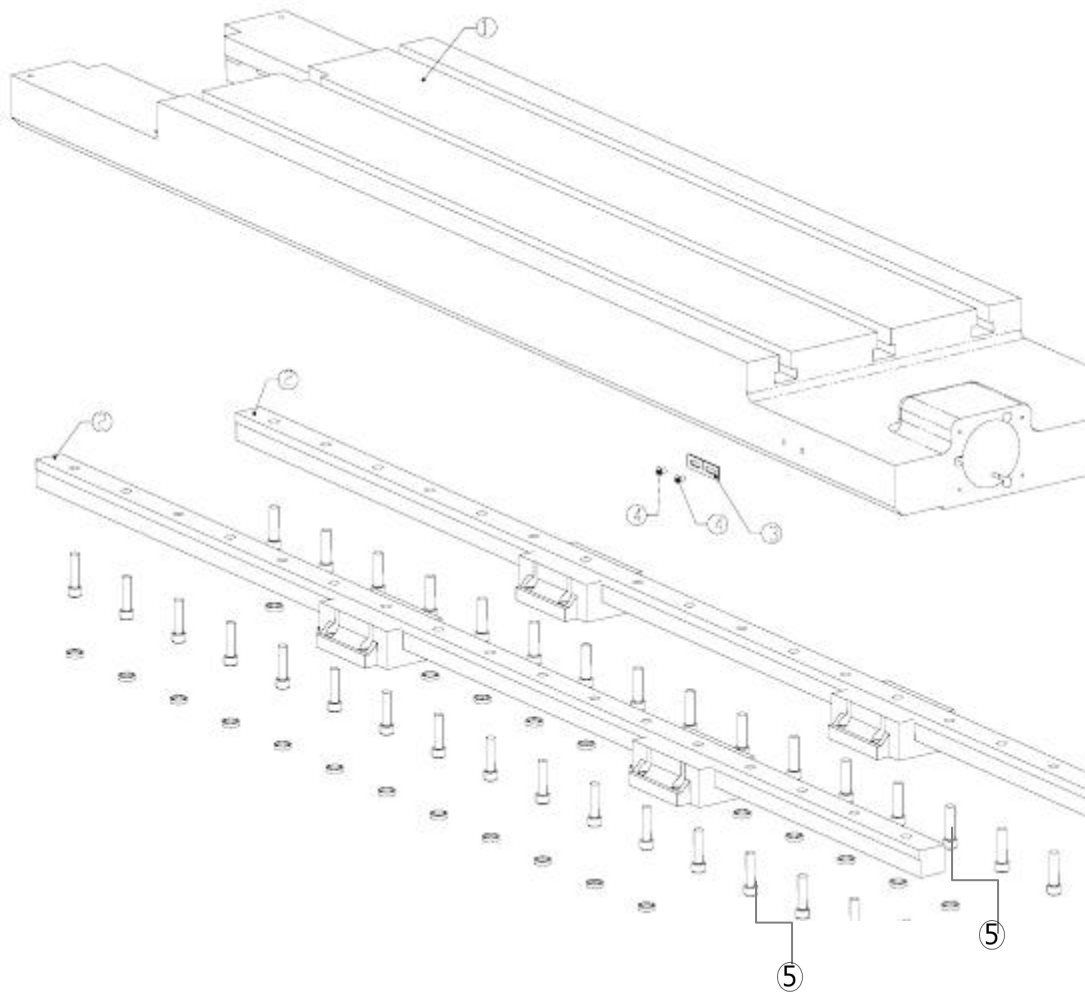
ITEM NO.	QTY.	PART NO.	DESCRIPTION
1	1	COL-0050	Column Machined LP TRM
2	4	HDW-0769	Screw Set Halfdog 1/2-20 x 1.00
3	2	BRG-0173	Linear Rail Y Axis, Z Axis, TRM
	1	1605-703-31,1356	Y-Z Axis Linear Guide TRM
	2	1651-723-20	Truck Linear Rail TRM
	22	1605-300-80	Plugs Rail Socket Cap
4	22	HDW-0291	Screw Socap 5/16-18 x 11/4
5	4	PLM-0245	Fttngr Hdrlic Grs M6x1 Mle 45deg

## SADDLE / TABLE / BALLSCREW



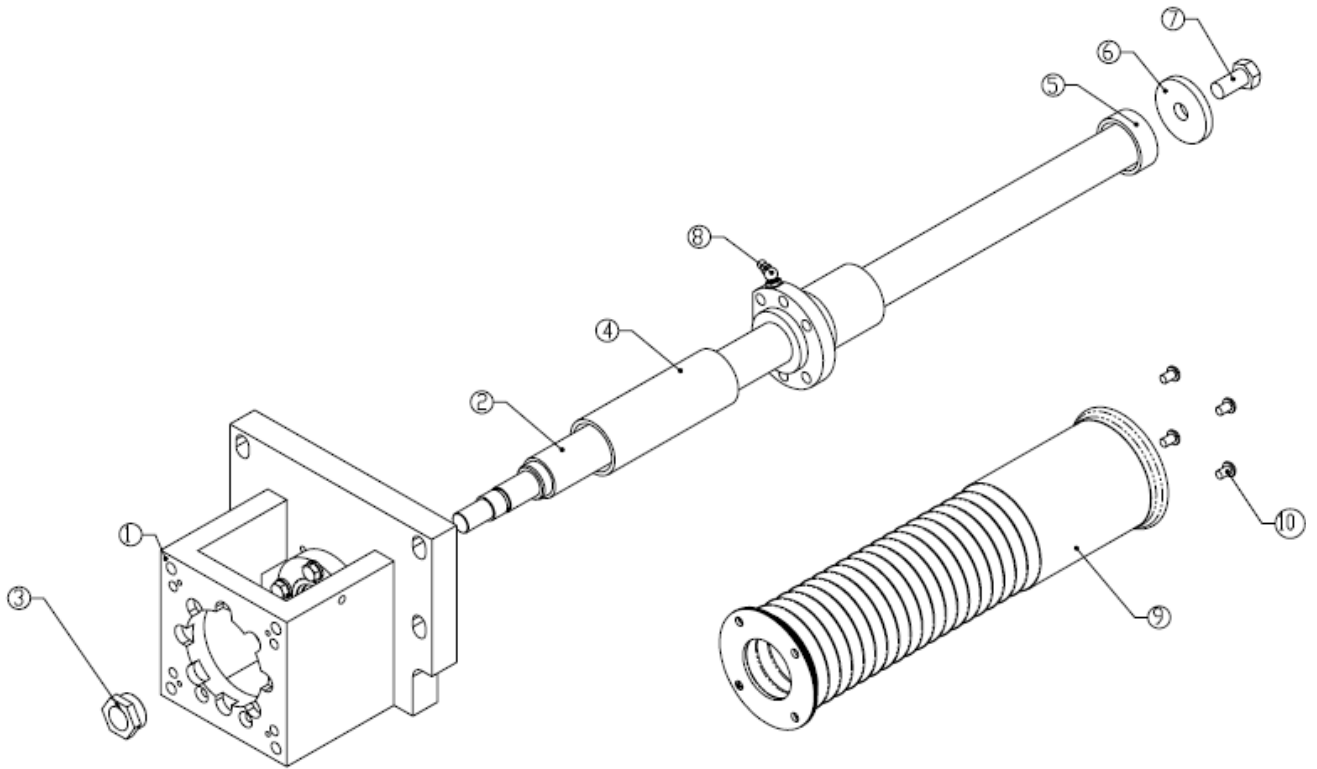
ITEM #	QTY	PART #	DESCRIPTION
1	1	SDL-0088 Saddle BallNut Assv	
2	1	BLS-0376 Ballscrew Assv X Axis	
3	16	HDW 1321 SHCS M101.5x65mm	
4	6	HDW-0291 screw socap .3125-18x1 .25	Alloy Steel Black Finish
5	6	HDW 0281 washer lock .3125	
6	4	HDW 0426 Set Screw 10-32x.250	
7	1	TBL-0049 TABLE ASSEMBLY TRM	
8	3	HDW-0779	SECREW, SOCAP .375 16X1.25
9	1	STM-1696 Front Cover Saddle TRM	
10	8	HDW 0349 screw button socap 10 32x.375	18-8 Stainless Steel

## TABLE ASSEMBLY



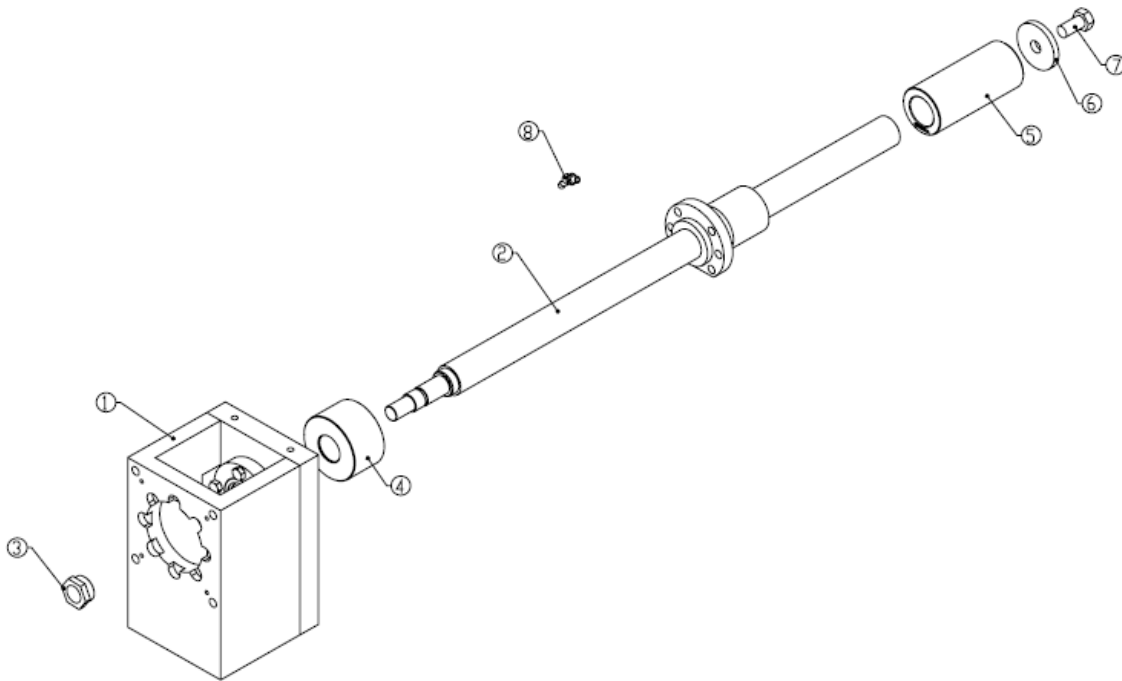
ITEM #	QTY	PART #	DESCRIPTION
1	1	TEL-0048	Table Machined TRM
2	2	BRG-0174	Linear Guide, X axis, TRM
3	1	STM-0593	Cold Start Bracket X Axis
4	2	HDW-0352	Screw button head 8-32 x ¼
5	34	HDW-0291	Screw Socap 5/16 – 18x1 ¼

## Y AXIS BALLSCREW



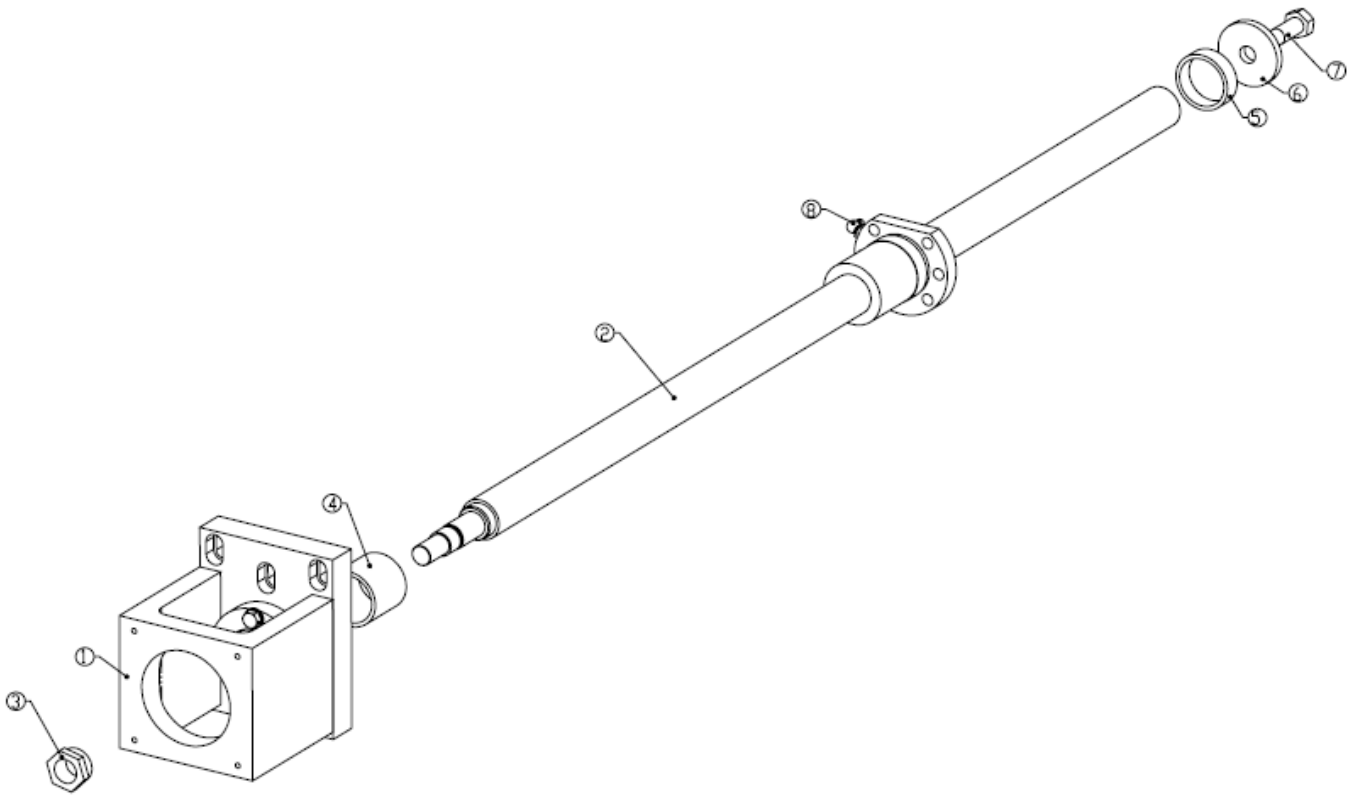
ITEM #	QTY	PART #	DESCRIPTION
1	1	BLS-0307	Bearing Mount Y Axis
2	1	BLS-0346	BallScrew Y & Z Axis TRM, 32mm x 5mm
3	1	BLS-0047	Retainer Bls Nut 2216 5020a 400mm HMC
4	1	BLS-0367	Stop Limit Front Y Axis
5	1	BLS-0383	Stop Limit Rear Y Axis
6	1	HDW-0859	Washer X Axis IS Adapter 6030
7	1	HDW-1196	Screw HexcapG8 1/2-13 UNCx1
8	1	PLM-0245	Fitting Hydraulic grs m 6x1 mle 45deg.
9	1	CVR-0183	Cover Bellows Y Axis BallScrew
10	4	HDW-0347	Screw Button Socap 1/4-20 x 3/8

## Z AXIS BALLSCREW



ITEM #	QTY	PART #
1	1	BLS-0009 Bearing Mount Z Axis
2	1	BLS-0346 BallScrew Y & A Axis TRM, 32mm x 5mm
3	1	BLS-0047 Retainer Bls Nut 2216 5020a 400mm HMC
4	1	BLS-0326 Stop Limit Upper Z Axis EMC
5	1	BLS-0323 Stop Limit Lower Z Axis EMC
6	1	HDW-0859 Washer X Axis IS Adapter 6030
7	1	HDW-1196 Screw Hexcap G8 1/2-13 UNC x 1
8	1	PLM-0245 Fitting Hydraulic grs m 6x1 mle 45deg.

## X AXIS BALLSCREW



ITEM #	QTY	PART #	DESCRIPTION
1	1	BLS-0370 Bearing Mount X Axis Trm	
2	1	BLS-0345 BallScrew X Axis TRM	
3	1	BLS-0047 Retainer Bls Nut 2216 5020a 400mm HMC	
4	1	BLS-0380 Stop Unit Left X Axis	
5	1	BLS-0381 Stop Unit Right X Axis	
6	1	HDW-0859 Washer X Axis LS Adapter 6030	
7	1	HDW-1196 Screw Hexcap G8 1/2-13 UNC x 1, LH.	
8	1	PLM-0312 Fitting hydraulic grs m6x1 mle 90deg.	